

User manual for SISO invisible Mifare1 lock



1. PRODUCT APPEARANCE	- 1 -
1.1. LOCK BODY APPEARANCE	- 1 -
2. PRODUCT DIMENSIONS	- 2 -
2.1. LOCK BODY DIMENSIONS	- 2 -
2.2. STRIKER DIMENSIONS	- 2 -
2.3. INSTALLATION DIMENSIONS	- 3 -
3. INSTALLATION EXAMPLES	- 4 -
4. PRODUCT FUNCTIONS	- 5 -
4.1 FUNCTIONS & FEATURES:	- 5 -
4.2. PARAMETERS	- 6 -
5. OPERATION	- 6 -
5.1. LOCK RESETTING	- 6 -
5.2. LOCK MODES	- 6 -
5.3. CHANGE LOCK MODES	- 7 -
5.4. SETTING CARDS & KEY FOBS	- 7 -
5.5. CHANGE KEY MODE	- 8 -
5.6. ALARM FUNCTION (ONLY PRIVATE MODE)	- 8 -

1. PRODUCT APPEARANCE

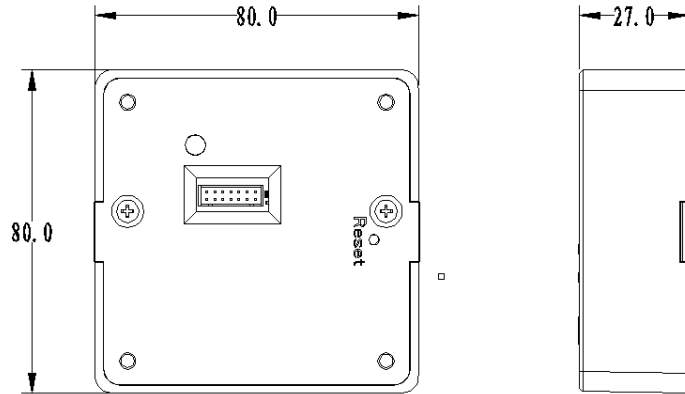
1.1. Lock body appearance

Item No. 14.60.280-0 Invisible Mifare1 Lock (13,56MHz), 80x80x27mm, Black ABS, No Batteries



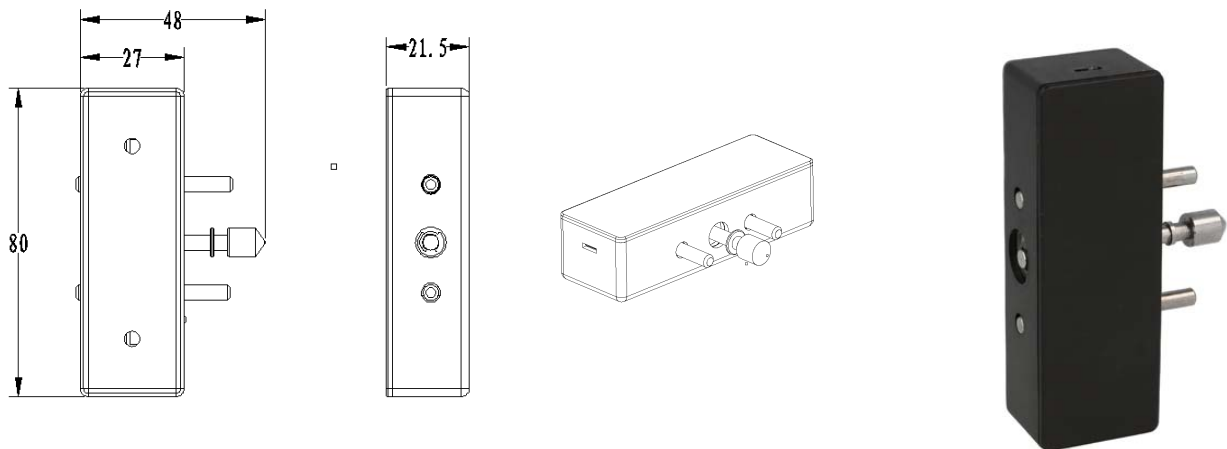
2. PRODUCT DIMENSIONS

2.1. Lock body dimensions

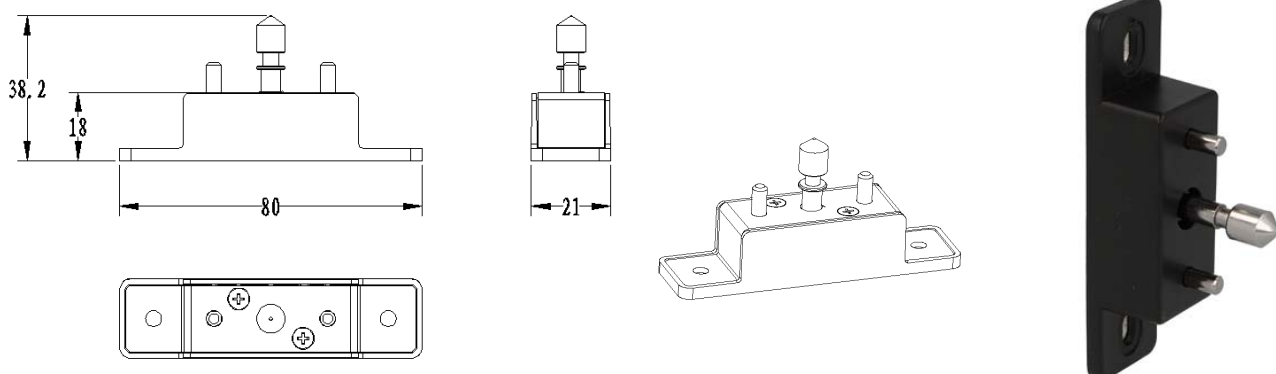


2.2. Striker dimensions

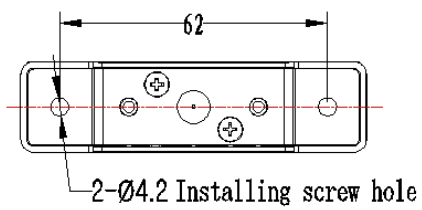
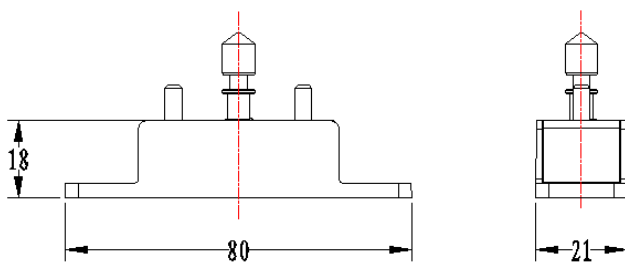
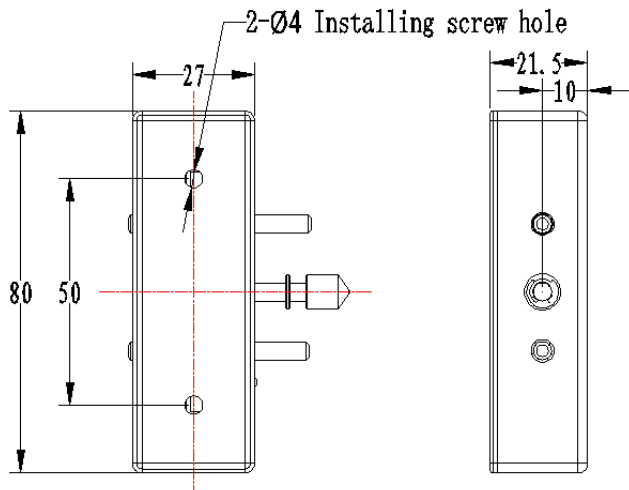
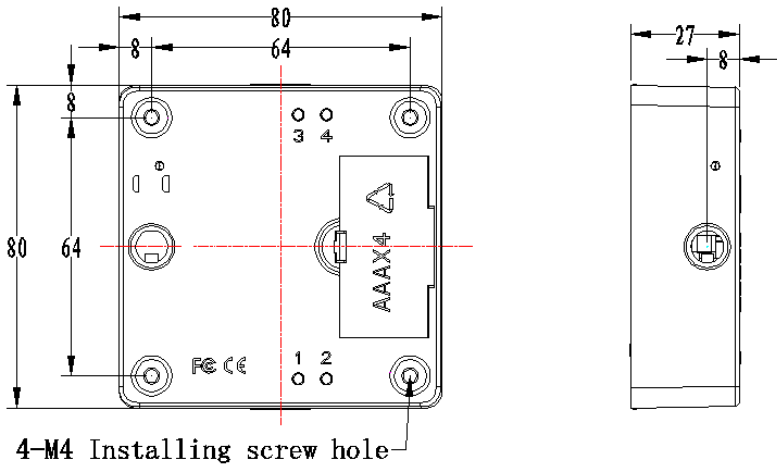
Item No. 14.60.285-0 Striker, PTO, F/Cabinet Doors, 80x27x21,5 mm, Steel/Black ABS



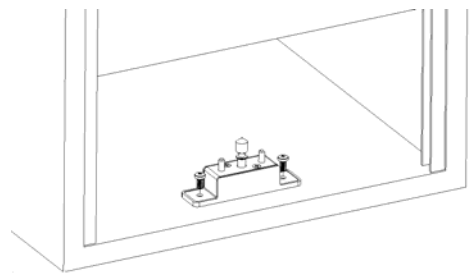
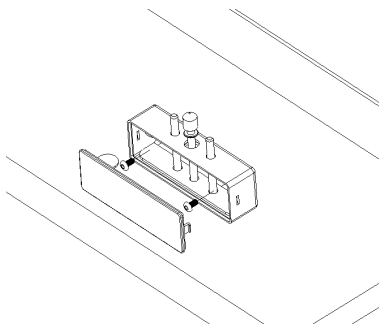
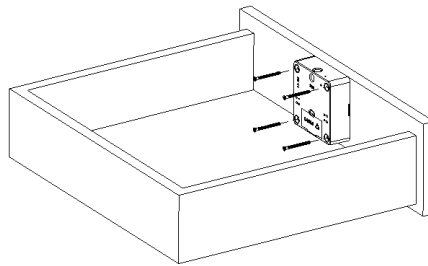
Item No. 14.60.286-0 Striker, PTO, F/Sliding Doors, 80x21x18mm, Steel/Black ABS



2.3. Installation dimensions



3. INSTALLATION EXAMPLES



4. PRODUCT FUNCTIONS

4.1 Functions & features :

Functions	Features
Sound prompt	Lock will make sound when battery has low voltage, correct/wrong key is swiped or unlocking for a long time
Light prompt	Green: means correct
	Red: means incorrect
	Blue: means low voltage
	White: standby condition
Low voltage warning	When battery's voltage is lower than 4.5V, light will flash in blue and lock prompts "beep-beep" to remind the user to change batteries
	When voltage is less than 4V, lock can't be locked until batteries have been changed.
	Lock can normally work 1000 times after low voltage warning
Lock alarm warning	Alarm will be activate if the lock is not closed/slammed within 30 sec. Alarm will stop after 10 sec.
	Lock alarm warning function only exists in Private mode.
Double key unlock	Factory setting: single key, public mode
	Use Service Card in combination with User Key Fob to open the lock.
Blocking function	If you swipe wrong User Key Fob, the lock will flash red twice and prompt a "beep-beep". If you swipe wrong User Key Fob 5 times in a row, the lock will be unavailable for 5 mins. You can use the Master Card to make it available. During unavailable period, if you swipe any card lock the lock will prompt a "5 x beep" and the light flashes red. After 5 mins. the lock will be available again.
Master Card	Master card is used for programming User Key Fobs & Service card. Under public mode, the Master Card can be used for unlocking.
Delete card	Delete card is used for deleting User Key Fobs and Service Card. Swipe it and you delete all User Key Fobs and Service Cards. You cannot delete the Master Card with the Delete Card. You cannot unlock the lock with the Delete Card.

4.2. Parameters

Material	ABS for lock body shell
Power consumption	Static power consumption <100uA
	Dynamic power consumption<200mA
Working voltage	DC6V(AA 1.5V×4pcs)
	Can be used for around 1 year
Working environment	Working temperature -15DG C ~ +65DG C
	Working humidity 10% ~ 90%RH
Anti-static	Air static 15KV
	Touch static 8KV

5. OPERATION

5.1. Lock resetting

Items	Operation
Resetting	Keep pressing “reset” button for 2 sec. Lock will prompt a “beep-beep-beep” and light flashes green twice. Reset has been completed successfully





5.2. Lock modes

Public mode (factory setting) (lock is unlocked)	Swipe any User Key Fob and slam the door within 5 sec. to close the lock. Then lock can only be unlocked by the same User Key Fob or Master Card.
Private mode (lock is locked)	Need to program User Key Fob, Service Card and Delete Card with the Master card before using. Swipe programmed User Key Fob to unlock the lock. It will be locked automatically 3 sec. later.
Office mode (lock is locked)	Need to program User Key Fob, Service Card and Delete Card with the Master card before using. Swipe programmed User Key Fob to unlock the lock. Swipe programmed User Key Fob to close the lock again.

5.3. Change lock modes

Public mode (factory setting)	Keep pressing button “3” for 1 sec. The lock prompts a “beep” and light flashes once. Now the lock is in public mode.
Private mode	Keep pressing button “3” for 1 sec. The lock prompts a “beep-beep” and light flashes once. Change to private mode successfully. Now the lock is in private mode.
Office mode	Keep pressing button “3” for 1 sec. The lock prompts a “beep-beep-beep” and light flashes twice. Now the lock is in office mode.

5.4. Setting cards & Key Fobs

Items	Operation
Set Master Card 	Keep pressing button “1” for 1 sec. Lock will prompt a “beep” and light flashes green. Swipe a card. It will prompt a “beep” and light keeps lighting green for 1 sec. This card is now the Master Card.
Set Delete Card 	Keep pressing button “2” for 1 sec. The lock will prompt a “beep” and light flashes green. Swipe a card, It will prompt a “beep” and light keeps lighting green for 1 sec. This card is now the Delete Card.
Set User Key Fob 	Swipe Master Card and the lock will prompt a “beep” and light will flash green. (during green light flashing, you can program multiple User Key Fobs) Swipe any User Key Fob. If lock prompts a “beep” and light keeps lighting green for 1 sec, this Key Fob is the User Key Fob. If lock prompt a “beep-beep” and light flashes red programming of User Key Fob has failed.
Set Service Card (Double key mode only) 	Swipe Master Card twice. The lock will prompt a “beep” and light flashes green slowly. (during green light flashing, you can program multiple Service Cards) Swipe an empty card. If lock prompt a “beep” and the light flashes green for 1 sec, this card is the Service Card. If lock prompt a “beep-beep” and light flashes red programming of the Service Card has failed.
Note: One lock can have at most 50 cards.	

5.5. Change Key mode

Single key mode (factory setting)	Keep pressing button “4” for 1 sec. The lock prompts a “beep” and light flashes once. Lock is now in single mode.
Double key mode	Keep pressing button “4” for 1 sec. The lock prompts a “beep-beep” and light flashes twice. Lock is now in double key mode.

5.6. Alarm function (only private mode)

Activate alarm function (factory setting)	Press button “1” & “2” at the same time. The lock will prompt a “beep” and light will flash green once. Alarm function is activated.
De-activation of alarm function	Press button “1” & “2” at the same time. The lock will prompt a “beep-beep” and light will flash green twice. Alarm function is de-activated.